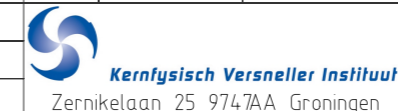


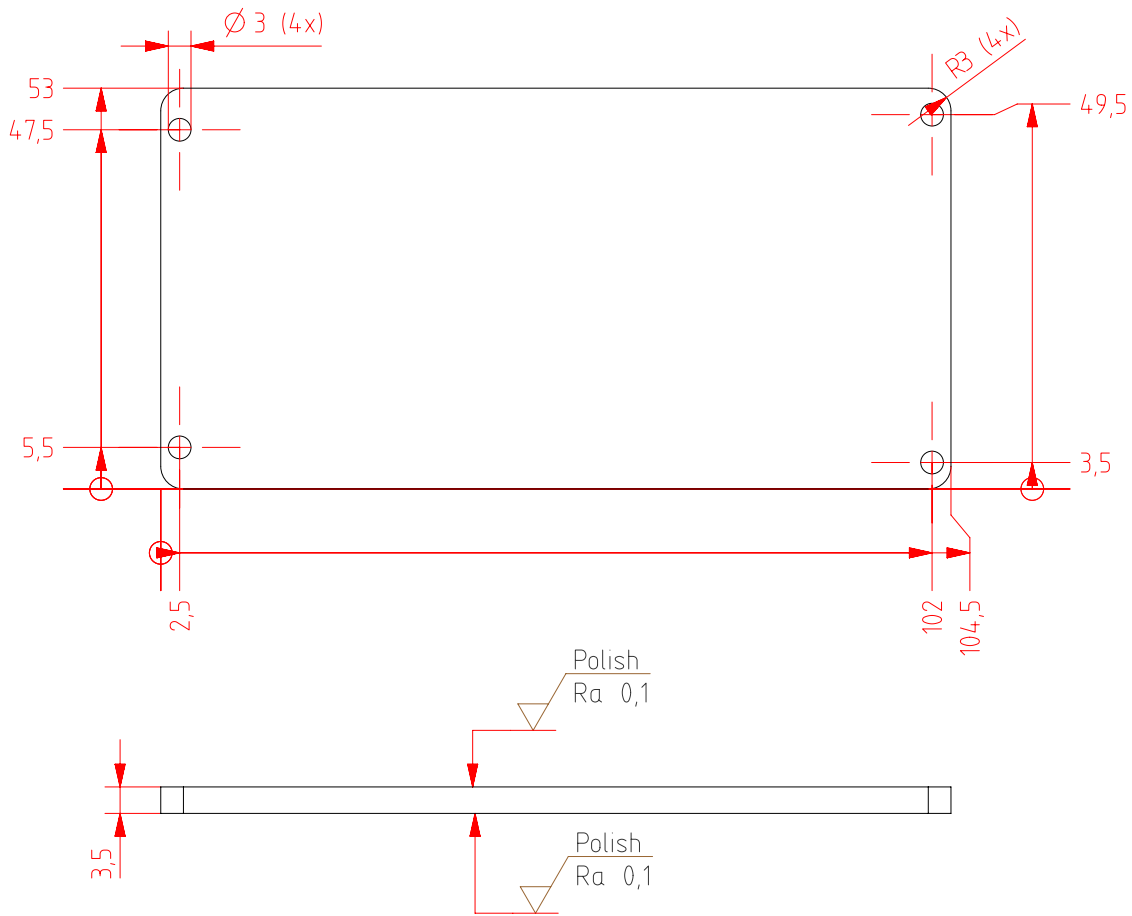
Number: 2x

Projectcode: 623001
 Werkorder: G1003
 Dimensions:
 Material:
 Mass [kg]: kg

4	1	3,1003,1411-02,DUMMY SILI			
3	2	3,1003,1410-08,INDIUM WIRE			dia.1mm L=50mm
2	4	DIN84 M2,5 X 6			
1	1	3,1003,1411-01,SILI DUMMY			
Stuk nr	Aan tal	Benaming	Materiaal	Opmerking	
Shape- and dest.fol. acc. NEN-ISO 1101		Dim. tol. acc. NEN-ISO 406	General Tolerances NEN-ISO 2768-1 m	Roughness acc. NEN 3634	mm
F		Date:	Name:	Project: EXL Proto	
E		Designed	2011	M.Lindemulder	Group: GSI NUSTAR
D		Drawn	2011	M.Lindemulder	Name:
C		Approved			Sili frame
B					Drawing number:
A					3,1003,1411_dwg
Revision		Date		Zernikelaan 25 9747AA Groningen	



Linear dimensions	±0,1	±0,1	±0,2	±0,3	±0,5	±0,8	±1,2	±2	[mm]	[mm]
Nominal dims	0,5-3	3-6	6-30	30-120	120-400	400-1000	1000-2000	2000-4000	[mm]	[mm]
Tolerance	±1°	±1°	±1°	±0°20'	±0°20'	±0°20'	±0°20'	±0°10'	±0°5'	±0°5'
Broken edges	±0,2	±0,5	±1	±1	±1	±1	±1	±1	[mm]	[mm]
Corners	±1°	±1°	±1°	±1°	±1°	±1°	±1°	±1°	[mm]	[mm]
[-min. cornerside	0-10	10-50	50-120	120-400	400-					



400-	120-400	400-
± 0°5'	± 0°10'	± 0°5'
50-120	± 0°20'	10-50
± 0°30'	± 0°20'	± 1°
0-10	± 1°	l-min. cornerside
tolerance		tolerance
Conners		
[mm]	[mm]	
6-	± 1	
3-6	± 0,5	
0,5-3	± 0,2	
Broken edges		
[mm]	[mm]	
2000-4000	± 2	
1000-2000	± 1,2	
400-1000	± 0,8	
120-400	± 0,5	
30-120	± 0,3	
6-30	± 0,2	
3-6	± 0,1	
0,5-3	± 0,1	
Nominal dims. mm		
Tolerance mm		

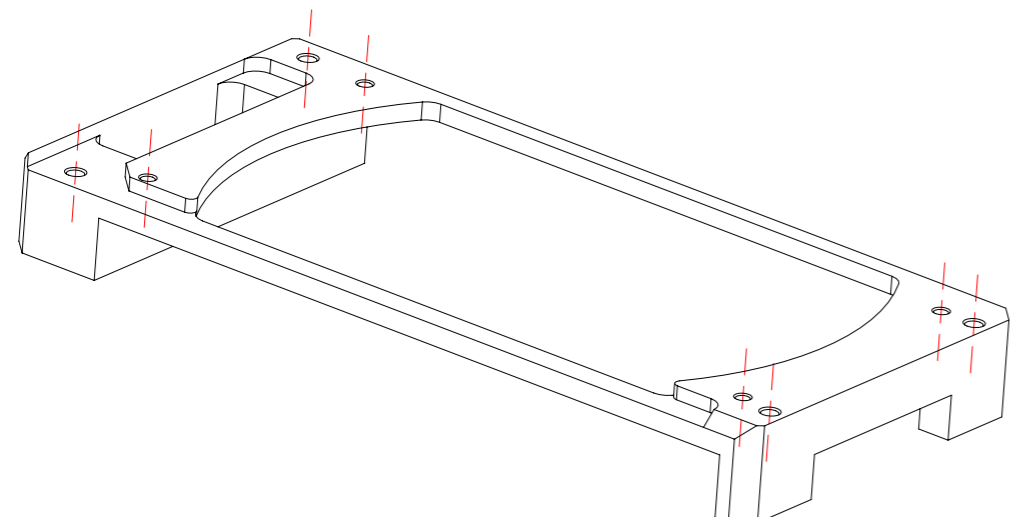
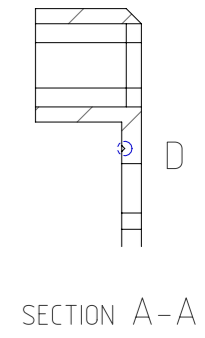
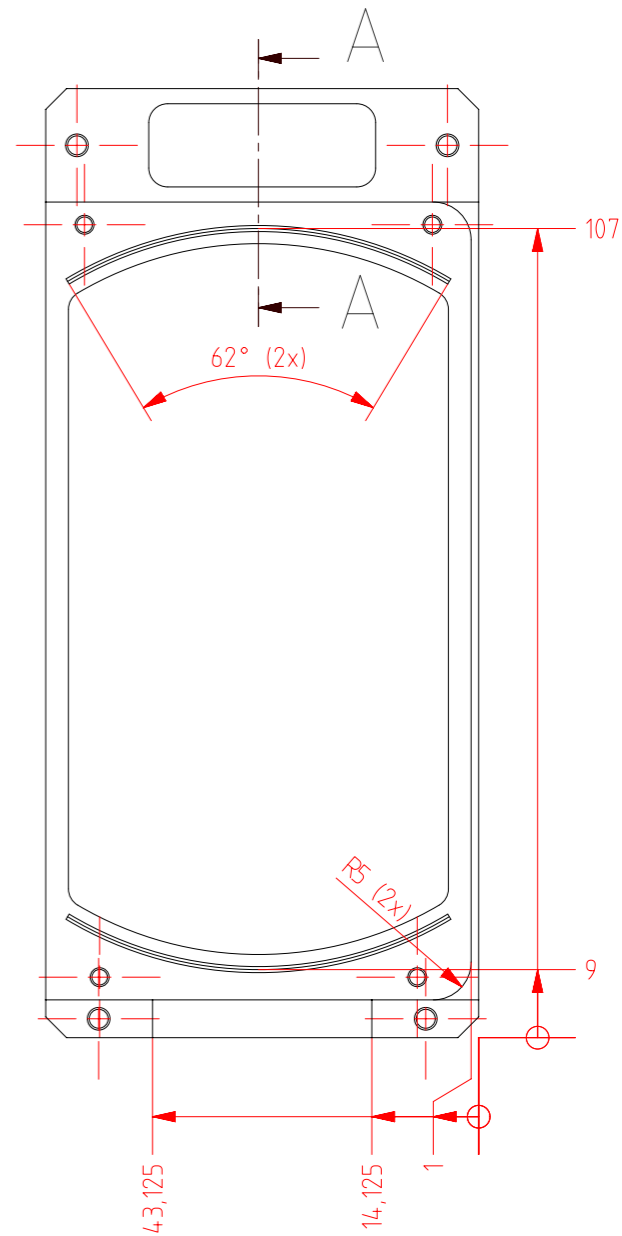
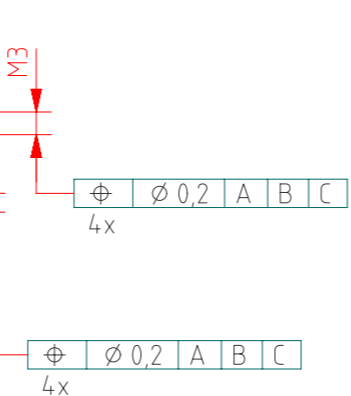
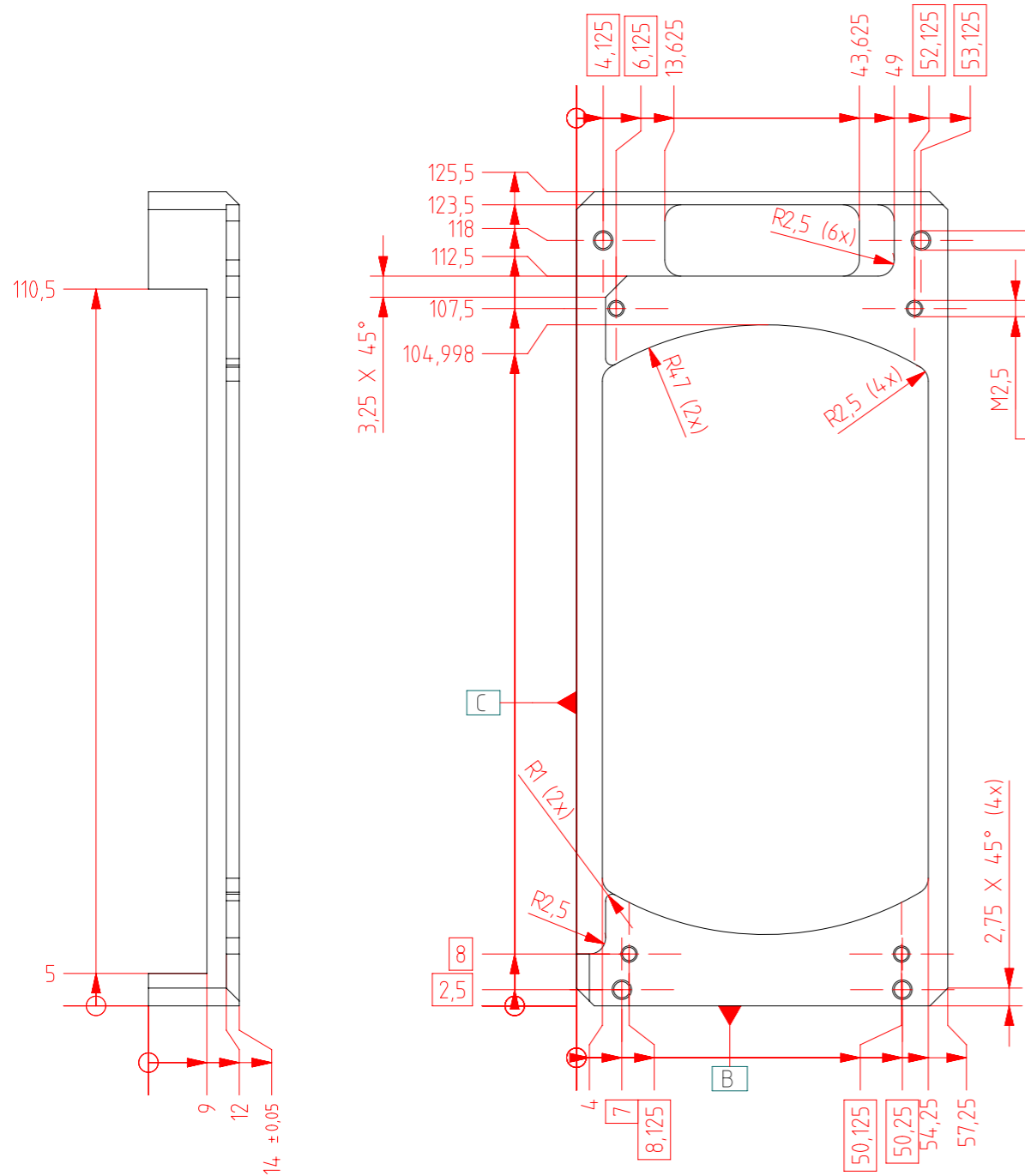
Projectcode: 623001
 Werkorder: G1003
 Dimensions:
 Material: 51ST_(AlMgSi1)
 Mass [kg]:

Number: 2x

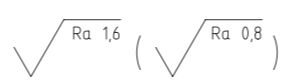
$\sqrt{\text{Ra } 3,2}$ ($\sqrt{\text{Ra } 0,1}$)

Shape- and dest.tol. acc. NEN-ISO 1101		Dim. tol. acc. NEN-ISO 406		General Tolerances NEN-ISO 2768-1m / 2768-2K		Roughness acc. NPR 3634		mm		Scale 1:1	
Date:		Name:		Project: EXL							
Drawn		11-2011		M.Lindemulder		Group: Nustar					
Checked		-		-		Name:				A4	
						Drawing number:				Sheet	
						3;1003;1411-01_dwg				1/1	
Revision		Date									





Number: 2x



Projectcode: 623001
 Werkorder: G1003
 Dimensions: LxBxH
 Material: 51ST_(AlMgSi1)
 Mass [kg]: kg

1	1	3;1003;1411-02,DUMMY SILI	Sili frame	51ST_(AlMgSi1)	-
Pos.no	QTY	File name	Name	Material	Remarks
Shape- and dest.tol. acc. NEN-ISO 1101		Dim. tol. acc. NEN-ISO 406		General Tolerances NEN-ISO 2768-1m / 2768-2K	
Roughness acc. NPR 3634		mm		Scale 1:1	
Date: 11-2011		Name: M.Lindemulder		Project: EXL Proto	
Checked: -		-		Group: GSI NUSTAR	
Revision		Date		Name: Sili frame	
				Drawing number: 3;1003;1411-02_dwg	
				Sheet 1/1	

NEN ISO 2768-2K	Nominal dims. mm	Straightness & Flatness	t/m10	10-30	30-100	100-300	300-1000	1000-3000	Squareness	t/m100	100-300	300-1000	1000-3000	Symmetry	t/m100	100-300	300-1000	1000-3000	Circular Stroke
Geometrical tolerances	Tolerance mm		0,05	0,1	0,2	0,4	0,6	0,8	⊥	0,4	0,6	0,8	1	≡	0,6	0,8	1	↻	0,2

400-120	± 0°5'	400-120	± 0°10'	400-120	± 0°20'	10-50	± 1°	0-10	± 1°	0-10	± 1°	0-10	± 1°	0-10	± 1°	0-10	± 1°	0-10	± 1°	
1-min. cornerside	0-10	10-50	± 1°	50-120	± 0°20'	120-400	± 0°10'	400-120	± 0°5'	10-50	± 1°	0-10	± 1°	0-10	± 1°	0-10	± 1°	0-10	± 1°	
Broken edges	0,5-3	± 0,2	3-6	± 0,5	6-	± 1	2000-4000	± 2	1000-2000	± 1,2	400-1000	± 0,8	120-400	± 0,3	30-120	± 0,2	6-30	± 0,1	3-6	± 0,1
Nominal dims	0,5-3	± 0,1	3-6	± 0,1	6-30	± 0,2	30-120	± 0,3	120-400	± 0,5	400-1000	± 0,8	1000-2000	± 1,2	2000-4000	± 2	2000-4000	± 2	2000-4000	± 2
Linear dimensions	0,5-3	± 0,1	3-6	± 0,1	6-30	± 0,2	30-120	± 0,3	120-400	± 0,5	400-1000	± 0,8	1000-2000	± 1,2	2000-4000	± 2	2000-4000	± 2	2000-4000	± 2
Tolerance	0,5-3	± 0,1	3-6	± 0,1	6-30	± 0,2	30-120	± 0,3	120-400	± 0,5	400-1000	± 0,8	1000-2000	± 1,2	2000-4000	± 2	2000-4000	± 2	2000-4000	± 2
Corners	0-10	± 1°	10-50	± 1°	50-120	± 0°20'	120-400	± 0°10'	400-120	± 0°5'	10-50	± 1°	0-10	± 1°	0-10	± 1°	0-10	± 1°	0-10	± 1°